

MOSFiTM 

VOLKER

FLAP BARRIER



India's No.1 Manufacturer of Entrance Automation Product



AMENITIES OF VOLKER SERIES FLAP BARRIER

Mosfi's Volker series flap barrier are new generation flap barrier (machines) which are designed for those places where high volume of pedestrian traffic occurred Ex: Metro/ Railway station, Stadiums Big Factories/Production House, Malls, Amusement Parks, smart Schools, Pretentious Colleges, Invulnerability Hostels.

Safety of pedestrians:-

During operations Volker main aim is must be fast and safest that there is not any single vector of miss happenings /stuck. This machine Consists of our unique design double safety option which assured our all pedestrians safety while its people or our lovable kids.

Emergency/Power failure:

This machine consists a uniquely feature have where if power is closed/shut by any method machines internally core have efficiency to open the machines while if it is on closed mode and still open if machines are in open mode. For modern era requirement our machines have also equipped with feature Open-Open-Closed or Close-Open-Close On Gate NPN Or PNP Technologies.



ESD Essentials
IEC 61000-4-2 Rating



Smart Generation Access system:- Volker machine consists of latest technologies merged with efficient hardware's for face the new challenges in premises access security and also configure with Modern IT Industry needs. Ex: Bar code QR Code Operation ,zero current Deficiency (Dielectric Breakdown, visitor



CUSTOMIZATION:-Volker series Barrier are also comes with customized Branding Option On Flap/Body as your Organization Name Or Logo-while the Color of body as well as flap can also customized as your interior themes.(Red/Blue/Green/Golden/Pink)

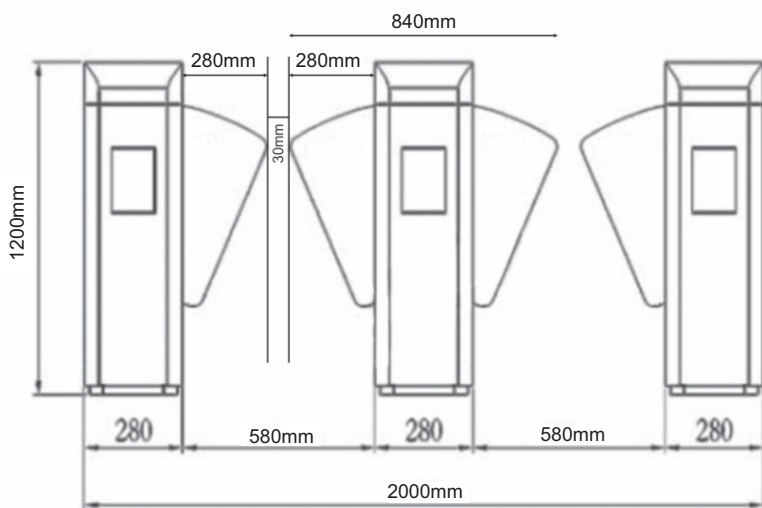
MOSFi VOLKER SERIES machine are decorated with **ANTI CRASH SENSOR** (for safety of user), **ANTICONGULATION SENSOR** (blocking of two person entry), **ANTI PINCH FUNCTION** (support

Technical Specification :

VOLKER

Passage Width:	820 mm	ANTI CONGLUTINATION SENSOR	INBUILT
MATERIAL	S S-304 16 Guage	ANTI CRASH Sensor	INBUILT
Operating time:	>1 SEC	DRIVE VOLTAGE:	DC24V,7A
OPERATING DIRECTION	In/Out/Both	POWER CONSUMPTION:	20W
FLAP	RED/GREEN/BLUE	Finger/Card User	5000 Users
LENGTH OF FLAP	360mm*340mm	Attendance & access Record	100,000 Users
Duty cycle	Highly Intensive	COMMUNICATION PORT:	TCP/IP-RS485
BODY DIMENSION:	1400*450*1100	IP PROTECTION	Ip44
Mother Board	MICROCONTROLLER BASE Mosfi FR-472	Fire protection drive	INBUILT
Working Current	4500 Ma	Supported Software	QR, Bare code system/Visitor Management system/Scan & Dip Tech.
Auto close Mode:	Inbuilt	External Hardware Supported	Zero Current Deficiency
AnitiPinch Function	Beep Alarm	Operation through	Remote/Card/Biom/Face/Mobile
Working Temp.	-10 deg to 55 deg C	Working Humidity	20% to60%

Dimensions :



Kindly Note : AAPL Reserve the rights to make changes at any stage without any prior notice. Color & Shape may be changed from time to time.

©Copyright2017 Mosfi Logo and Designs are Subject to Registered Trademark and Patent of Alaska Automation Pvt. Ltd. or Related Companies. All Specifications / Images are subject to change without Notice. All rights reserved.