

MOSFiTM

Registered with MSME (Govt. of India)

Powered by Alaska Automation Pvt. Ltd.

An ISO 9001:2015 Company

CE Certified Product



STANDARD FLAP BARRIER (SINGLE/MULTIPLE LANE)



10 YEARS

GUARANTEED AVAILABILITY OF ORIGINAL & GENUINE PARTS

Designed in Italy
100%
Make in India

FEATURES :

MOSFi Standard Flap Barrier are completely indigenous machine which are economy, sleek efficient quick & authorized unmanned pedestrian control.

- ▶ At time of designing and manufacturing we focus on value like security of premises, block unauthorized entry, and safety of people who are using our machine.

www.alaskagroup.in | sales@alaskagroup.in

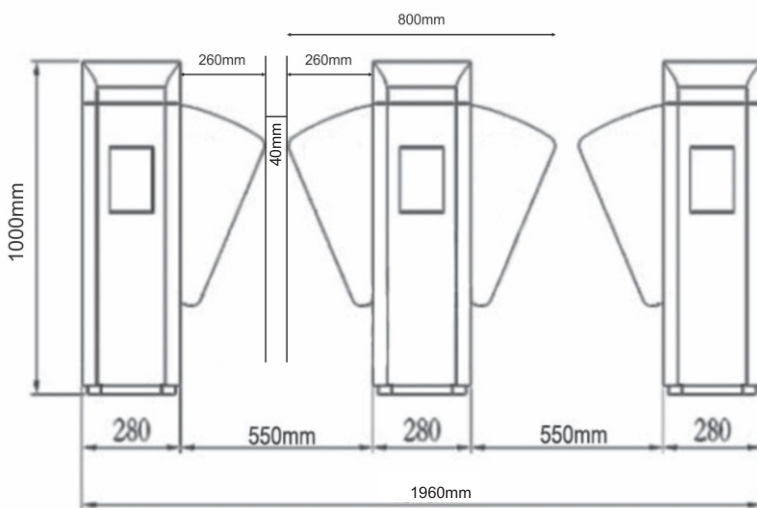
India's No.1 Manufacturer of Entrance Automation Product

SPECIFICATION :

STANDARD FLAP BARRIER (SINGLE/MULTIPLE LANE)

Passage Width:	Up to 575 MM	Mother Board	Mosfi FR-458
MATERIAL	S. STEEL 304 18 Guage	Autoclose sensor	IN-BUILT
Operating time:	2 Sec	Anti crash sensor:	IN-BUILT
Polished	Brushed Polish	Anti coagulation sensor:	IN-BUILT
Flap Dimension	260mm*300mm	Alarm :	Anti side access/block passage
Body Dimension	1000*300*980	Access through	Push Button/S. Card Without Data
Operating direction:	BI-DIRECTIONAL	User Capacity	500 Users
Drive Voltage :	DC-24 V	IP PROTECTION	IP43
Power	220 V, 50/60 HZ	Working Humidity	5% to 80%
Power consumption	80 W	Working Temp	-5°To 60° C
LED Indicator	Lane direction Provided		

Dimensions :



Kindly Note : AAPL Reserve the rights to make changes at any stage without any prior notice. Color & Shape may be changed from time to time.

©Copyright2017 Mosfi Logo and Designs are Subject to Registered Trademark and Patent of Alaska Automation Pvt. Ltd. or Related Companies. All Specifications / Images are subject to change without Notice. All right reserved.